

Technical data sheet



Product features

Freezing cabinet 130 l 3x shelf, stainless steel

Model	SAP Code	00012874
--------------	-----------------	----------



- Chamber volume [l]: 130
- Minimum device temperature [°C]: -10
- Maximum device temperature [°C]: -22
- Insulation thickness [mm]: 40
- Control type: Digital
- Door lock: Yes
- Opening of device: Two-sided
- Annual energy consumption [kWh]: 894

SAP Code	00012874	Chamber volume [l]	130
Net Width [mm]	600	Gross Volume [m3]	0.425
Net Depth [mm]	615	Net Volume [m3]	0.315
Net Height [mm]	855	Minimum device temperature [°C]	-10
Net Weight [kg]	46.00	Maximum device temperature [°C]	-22
Power electric [kW]	0.158	Refrigerant	R290
Loading	230 V / 1N - 50 Hz	Refrigerant weight [g]	46.00
Energy class	C	Climate class	4

Technical data sheet



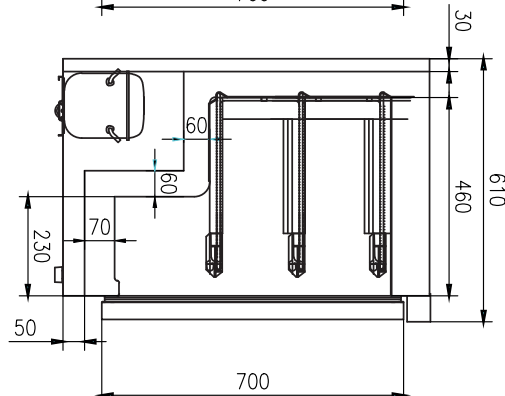
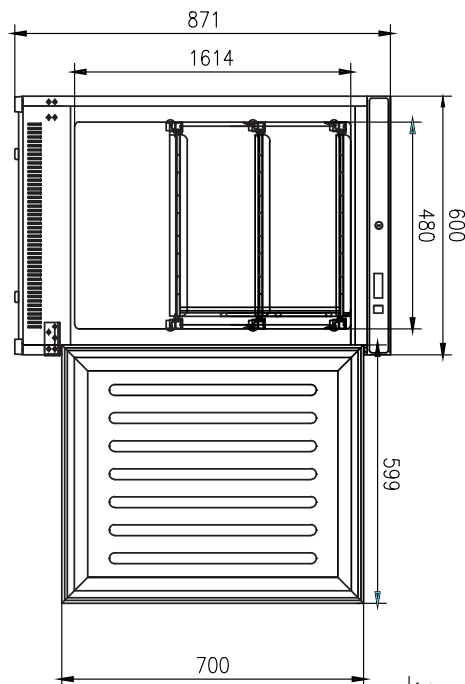
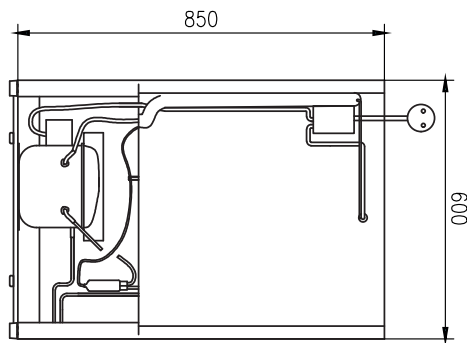
Technical drawing

Freezing cabinet 130 l 3x shelf, stainless steel

Model

SAP Code

00012874



Technical data sheet



Technical parameters

Freezing cabinet 130 l 3x shelf, stainless steel

Model

SAP Code

00012874

1. SAP Code:

00012874

2. Net Width [mm]:

600

3. Net Depth [mm]:

615

4. Net Height [mm]:

855

5. Net Weight [kg]:

46.00

6. Gross Width [mm]:

625

7. Gross depth [mm]:

645

8. Gross Height [mm]:

1055

9. Gross Weight [kg]:

52.00

10. Device type:

Electric unit

11. Power electric [kW]:

0.158

12. Loading:

230 V / 1N - 50 Hz

13. Energy class:

C

14. Refrigerant:

R290

15. Cooling type:

Static with fan

16. Material:

Stainless steel

17. Device properties 2:

Freezing

18. Chamber volume [l]:

130

19. Gross Volume [m3]:

0.425

20. Net Volume [m3]:

0.315

21. Worktop material:

SS201

22. Adjustable feet:

Yes

23. Insulation thickness [mm]:

40

24. Opening of device:

Two-sided

25. Gasket:

Yes

26. Number of doors:

1

27. Unit:

Yes

28. Control type:

Digital

Technical data sheet



Technical parameters

Freezing cabinet 130 l 3x shelf, stainless steel

Model

SAP Code

00012874

29. Door lock:

Yes

33. Refrigerant weight [g]:

46.00

30. Annual energy consumption [kWh]:

894

34. Number of grids:

3

31. Minimum device temperature [°C]:

-10

35. Climate class:

4

32. Maximum device temperature [°C]:

-22